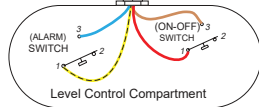


SUPPLY CABLE WIRE COLOR & OPERATION

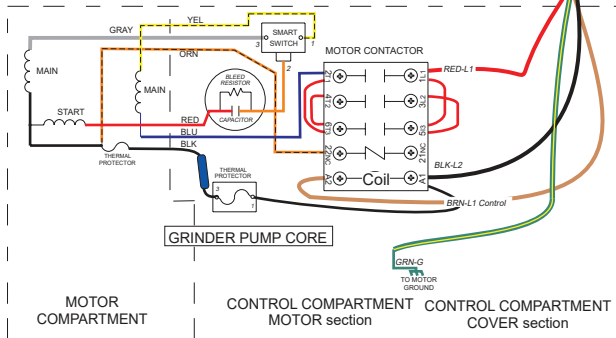
Wire Color	Function
Brown	Manual Run
Red	L1
Black	L2 or Neutral
Green w/ Yellow Stripe	Ground
Yellow	Alarm Power Feed
Blue	Alarm Power Return

Supply Cable



HARD WIRE OPTION

Alarm Yellow and Blue wires go to the alarm panel only Motor Control Red and Brown wires go to both alarm panel and motor contactor



NA0036P18 -
Swed, 220 Volt 50 Hz
Control Wiring Tag

eone